

# FMP BM SQ FF

## Universal Mini Posts

Base Mounted, Square Mini Post Friction Fit

### Technical Details

- No holes in glass required
- 316 Grade Stainless Steel
- Suitable for 12mm glass and 15mm glass
- Supplied with dress ring to conceal structural fittings
- For details on custom designs and sizes please contact sales support on (03) 8562 0888

### Available Finishes

- Polished stainless steel
- Satin stainless steel

## Specify at time of order

- Finish required

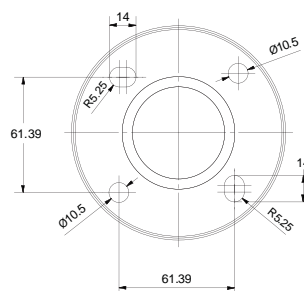
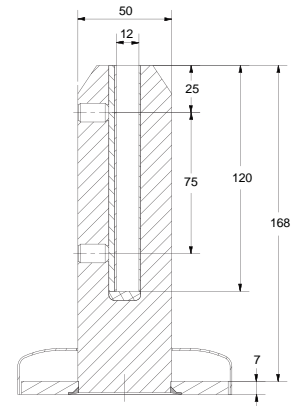
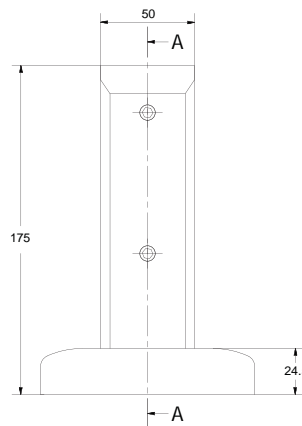
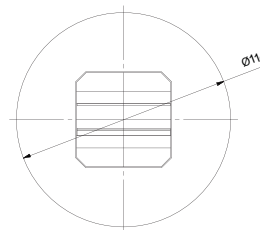
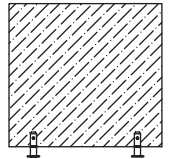
## Installation Instructions

- 1 Determine appropriate glass sizes by referencing the Pool Fence Guide on the page C7C or referring to a suitably qualified engineer for use in balustrades.
- 2 Fix mini post to structure in desired location using suitable fixing method.
- 3 Install glass into mini post, place cover plate on and secure by tightening 2 x M10 grub screws onto flat clamping plate.
4. Final adjustment as required and then re check all screws are tight.

**Note:** For concrete decks we suggest HILTI HVU+HIS-RN M10 or equivalent anchors.

As construction of timber decks vary infinitely, we recommend consultation by a suitably qualified engineer to certify appropriate use in each application.

Installers should check with anchor manufactures for minimum distance from the slab edge.



# FMP BM SQ HG

## Universal Mini Posts

Base Mounted, Square Mini Post  
 Mechanical Fix

### Technical Details

- 316 Grade Stainless Steel
- Suitable for 12mm glass and 15mm glass
- Supplied with dress ring to conceal structural fittings
- For details on custom designs and sizes please contact sales support on (03) 8562 0888

### Available Finishes

- Polished stainless steel
- Satin stainless steel

## Specify at time of order

- Finish required

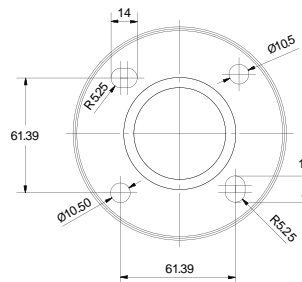
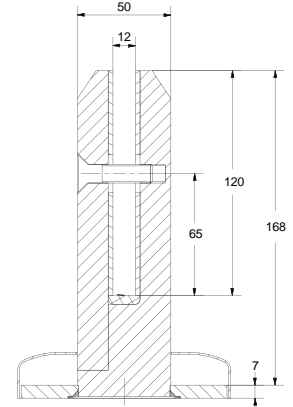
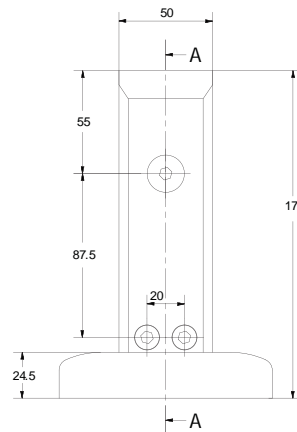
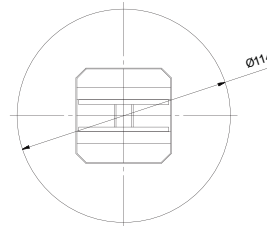
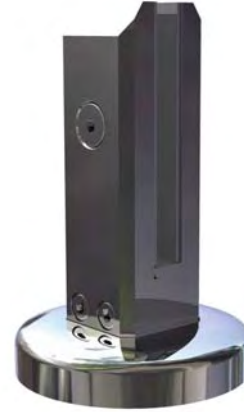
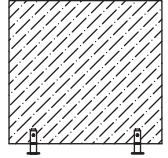
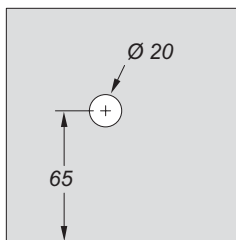
## Installation Instructions

- 1 Determine appropriate glass sizes by referencing the Pool Fence Guide on the page C7C or referring to a suitably qualified engineer for use in balustrades.
- 2 Fix mini post to structure in desired location using suitable fixing method.
- 3 Install glass into mini post, place cover plate on and insert and tighten the M10 CSK bolt through the mini post.
- 4 Final adjustment as required and then re check all screws are tight.

**Note:** For concrete decks we suggest HILTI HVU+HIS-RN M10 or equivalent anchors.

As construction of timber decks vary infinitely, we recommend consultation by a suitably qualified engineer to certify appropriate use in each application.

Installers should check with anchor manufactures for minimum distance from the slab edge.



# FMP BM RD FF

## Universal Mini Posts

Base Mounted, Round Mini Post  
Friction Fit

### Technical Details

- No holes in glass required
- 316 Grade Stainless Steel
- Suitable for 12mm glass
- Supplied with dress ring to conceal structural fittings
- For details on custom designs and sizes please contact sales support on (03) 8562 0888

### Available Finishes

- Polished stainless steel
- Satin stainless steel

## Specify at time of order

- Finish required

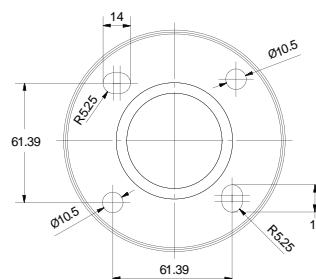
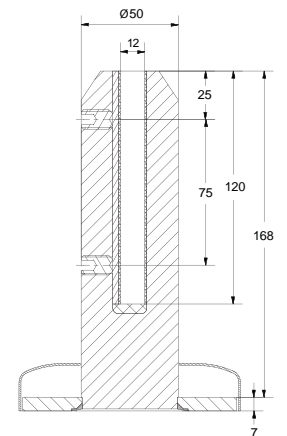
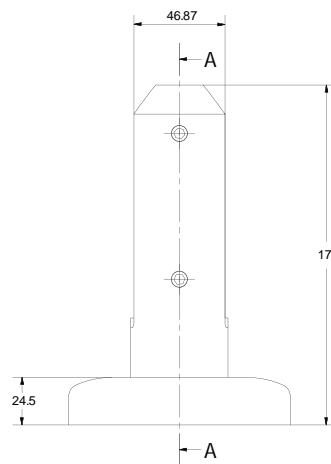
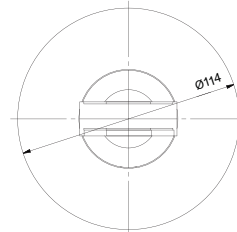
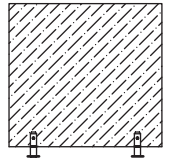
## Installation Instructions

- 1 Determine appropriate glass sizes by referencing the Pool Fence Guide on the page C7C or referring to a suitably qualified engineer for use in balustrades.
- 2 Fix mini post to structure in desired location using suitable fixing method.
- 3 Install glass into mini post, place cover plate on and secure by tightening 2 x M10 grub screws onto flat clamping plate.
4. Final adjustment as required and then re check all screws are tight.

**Note:** For concrete decks we suggest HILTI HVU+HIS-RN M10 or equivalent anchors.

As construction of timber decks vary infinitely, we recommend consultation by a suitably qualified engineer to certify appropriate use in each application.

Installers should check with anchor manufactures for minimum distance from the slab edge.



# FMP BM RD HG

## Universal Mini Posts

Base Mounted, Round Mini Post  
 Mechanical Fix

### Technical Details

- 316 Grade Stainless Steel
- Suitable for 12mm glass and 15mm glass
- Supplied with dress ring to conceal structural fittings
- For details on custom designs and sizes please contact sales support on (03) 8562 0888

### Available Finishes

- Polished stainless steel
- Satin stainless steel

## Specify at time of order

- Finish required

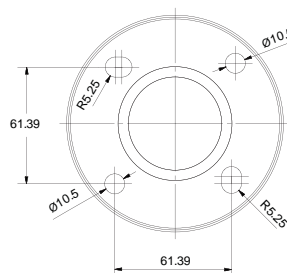
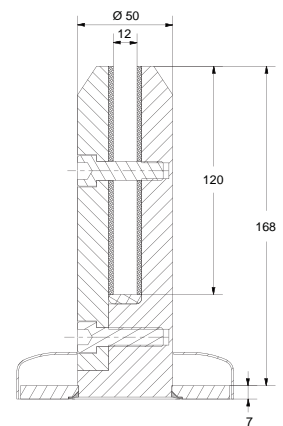
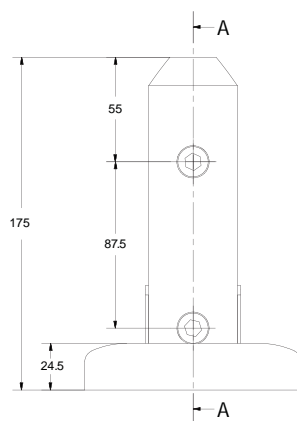
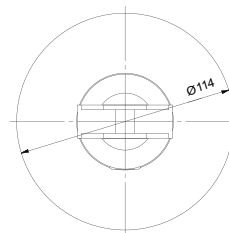
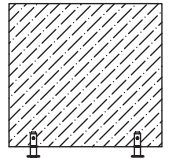
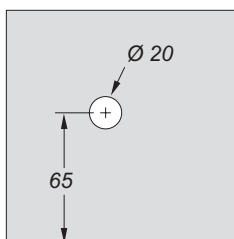
## Installation Instructions

- 1 Determine appropriate glass sizes by referencing the Pool Fence Guide on the page C7C or referring to a suitably qualified engineer for use in balustrades.
- 2 Fix mini post to structure in desired location using suitable fixing method.
- 3 Install glass into mini post, place cover plate on and insert and tighten the M10 CSK bolt through the mini post.
- 4 Final adjustment as required and then re check all screws are tight.

**Note: For concrete decks we suggest HILTI HVU+HIS-RN M10 or equivalent anchors.**

**As construction of timber decks vary infinitely, we recommend consultation by a suitably qualified engineer to certify appropriate use in each application.**

**Installers should check with anchor manufactures for minimum distance from the slab edge.**



# Universal Mini Post Recommended Panel Sizes

## Base Mounted Mini Post

### Balustrades

Use of the Universal Mini Post in balustrade applications will be dependent on several factors including type of balustrade and environmental conditions. We recommend consultation by a suitably qualified engineer to determine suitability on a job by job basis.

### Pool fencing (Concrete Applications Only)

The following tables can be used to determine maximum panel size for each wind pressure. Please note this usage table is based on using HILTI HVU+HIS-RN M10 to a depth of 110mm.

Wind pressure kPa

Posts Per Panel	Post Type (See legend below)	0.8 kPa		1.0 kPa		1.5 kPa		2.0 kPa		2.5 kPa	
		Max (A) mm	Max (B) mm	Max (A) mm	Max (B) mm	Max (A) mm	Max (B) mm	Max (A) mm	Max (B) mm	Max (A) mm	Max (B) mm

### 12mm Toughened Safety Glass

Toughened Safety Glass (AS/NZS 2208)	2	1, 2, 3, 4	1000	1400	750	1150	400	800	200	600	N/A	N/A
Toughened Safety Glass (AS/NZS 2208)	3	1, 2, 4	800	2000	600	1600	300	1000	200	800	N/A	N/A

### 15mm Toughened Safety Glass

Toughened Safety Glass (AS/NZS 2208)	2	1, 2, 4	1500	1900	1100	1500	600	1000	400	800	200	600
Toughened Safety Glass (AS/NZS 2208)	3	1, 2, 4	950	2300	750	1900	500	1400	400	1200	300	1000

### ULS Wind Pressure

### Regions

0.8 kPa (Region A2, TC 3)	NSW, ACT, VIC, SA, WA (Sth of Green Head), Interior QLD & NT - Suburban
1.0 kPa (Region A2, TC 2)	NSW, ACT, VIC, SA, WA (Sth of Green Head) - Coastal & Open Terrain; Interior QLD & NT - Open Terrain
1.5 kPa (Region B, TC 3)	QLD South of Bundaberg - Suburban
2.0 kPa (Region B, TC 2)	QLD South of Bundaberg - Coastal / Exposed
2.5 kPa (Region C)	QLD (North of Bundaberg), NT Coastal

All Mini Posts are SS316

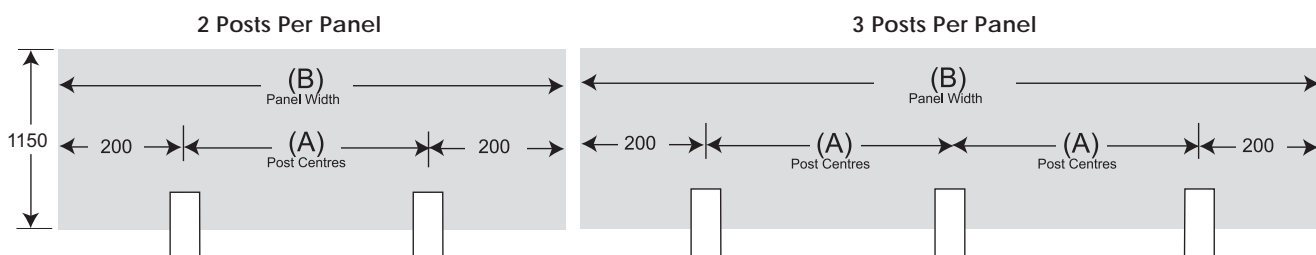
Tabulated values are based on design stresses limited by either the glass or mini-posts and/or deflection. Values also based on M10 anchor base fixing into non-crack concrete.

### Legend

Post Type 1:	FMP BM SQ FF - Base Mount, Square, Friction Fit
Post Type 2:	FMP BM SQ HG - Base Mount, Square, Mechanical Fix
Post Type 3:	FMP BM RD FF - Base Mount, Round, Friction Fit **
Post Type 4:	FMP BM RD HG - Base Mount, Round, Mechanical Fix

**\*\*Note:** Post Type 3: Round - Friction Fit - Mini Post is temporarily excluded from 12mm glass with 3 posts and all 15mm glass combinations pending test data analysis.

**Note:** These calculations are based on using Fethers fittings and do not apply to fittings supplied by others.





# FMP CD SQ FF

## Universal Mini Posts

Core Drilled, Square Mini Post  
Friction Fit

### Technical Details

- No holes in glass required
- 316 Grade Stainless Steel
- Suitable for 12mm glass
- Supplied with dress ring to conceal core drilling and M16 threaded rod for height adjustment
- For details on custom designs and sizes please contact sales support on (03) 8562 0888

### Available Finishes

- Polished stainless steel
- Satin stainless steel

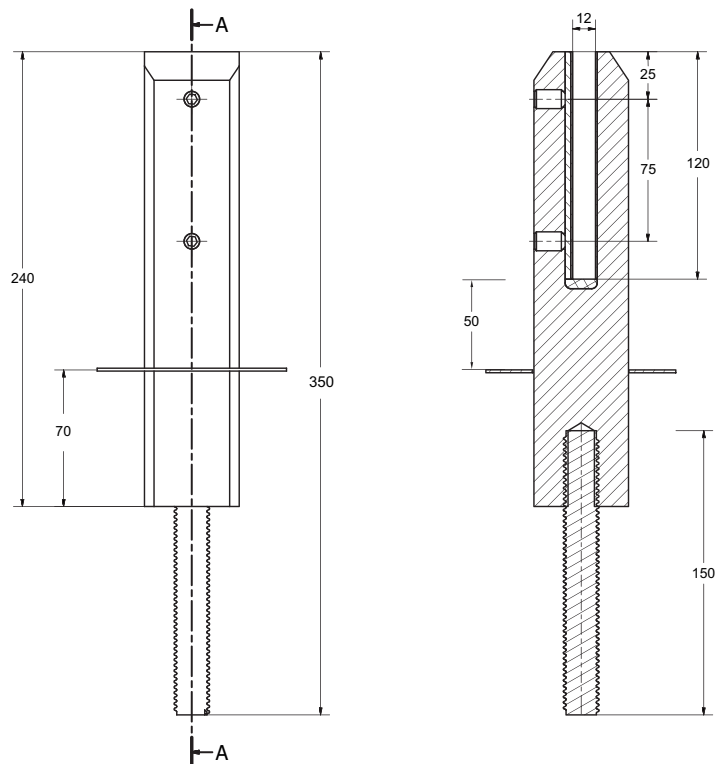
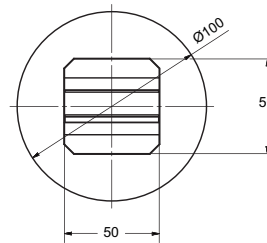
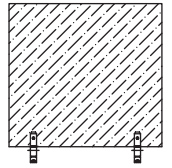
## Specify at time of order

- Finish required

## Installation Instructions

- 1 Determine appropriate glass sizes by referencing the Pool Fence Guide on the following page or referring to a suitably qualified engineer for use in balustrades.
- 2 Core drill holes and fix mini post into position using suitable fixing method.
- 3 Place dress ring over post and into position at base of post.
- 4 Insert glass and tighten via M8 Grub screws
5. Ensure all panels are plumb and securely braced.

Note: As constructions of timber and concrete decks vary infinitely, we recommend consultation by a suitably qualified engineer to certify appropriate use in each application.



# FMP CD SQ HG

## Universal Mini Posts

Core Drilled, Square Mini Post  
 Mechanical Fix

### Technical Details

- 316 Grade Stainless Steel
- Suitable for 12mm and 15mm glass
- Supplied with dress ring to conceal core drilling and M16 threaded rod for height adjustment
- For details on custom designs and sizes please contact sales support on (03) 8562 0888

### Available Finishes

- Polished stainless steel
- Satin stainless steel

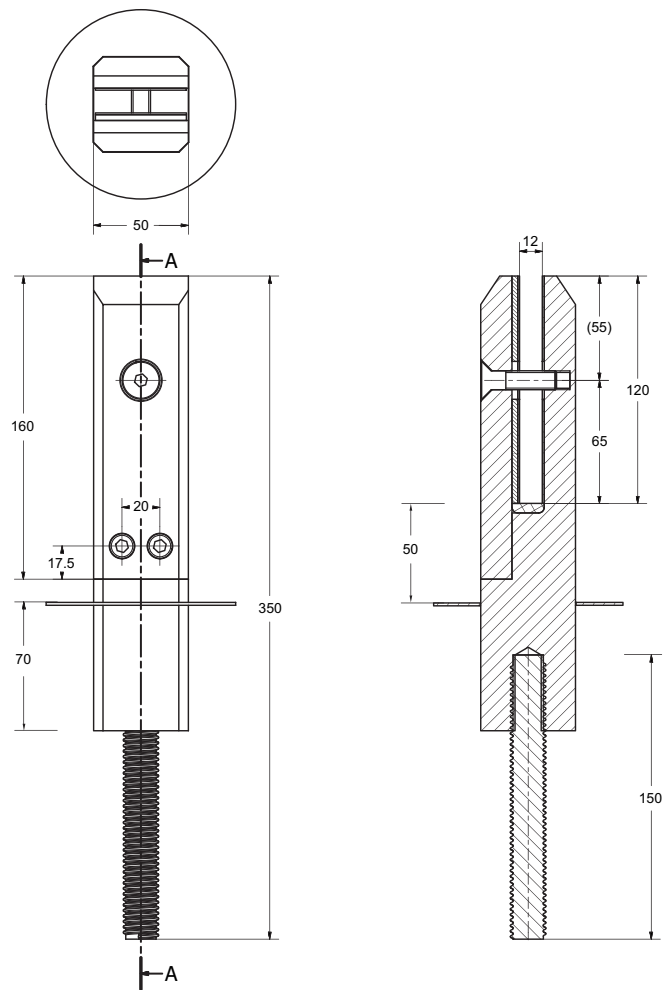
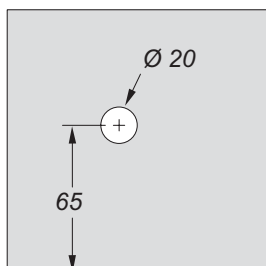
## Specify at time of order

- Finish required

## Installation Instructions

- 1 Determine appropriate glass sizes by referencing the Pool Fence Guide on the following page or referring to a suitably qualified engineer for use in balustrades.
- 2 Core drill holes and fix mini post into position using suitable fixing method.
- 3 Place dress ring over post and into position at base of post.
- 4 Insert glass and tighten into position via M10 CSK Bolt
5. Ensure all panels are plumb and securely braced.

Note: As constructions of timber and concrete decks vary infinitely, we recommend consultation by a suitably qualified engineer to certify appropriate use in each application.



# FMP CD RD FF

## Universal Mini Posts

Core Drilled, Round Mini Post  
Friction Fit

### Technical Details

- No holes in glass required
- 316 Grade Stainless Steel
- Suitable for 12mm glass
- Supplied with dress ring to conceal core drilling and M16 threaded rod for height adjustment
- For details on custom designs and sizes please contact sales support on (03) 8562 0888

### Available Finishes

- Polished stainless steel
- Satin stainless steel

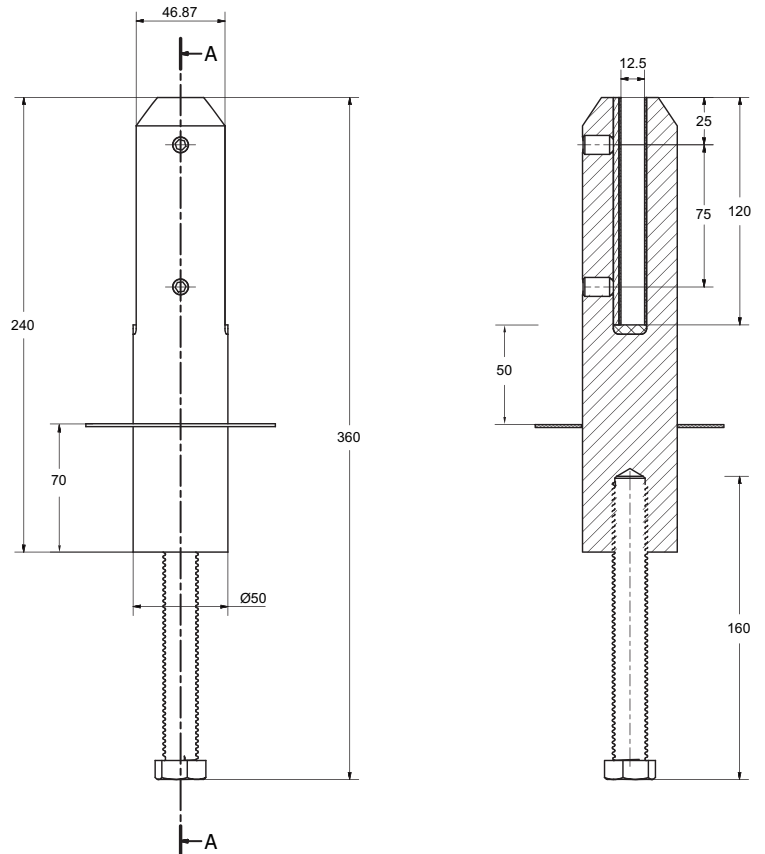
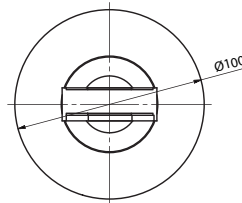
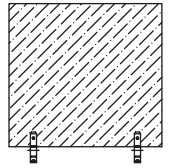
## Specify at time of order

- Finish required

## Installation Instructions

- 1 Determine appropriate glass sizes by referencing the Pool Fence Guide on the following page or referring to a suitably qualified engineer for use in balustrades.
- 2 Core drill holes and fix mini post into position using suitable fixing method.
- 3 Place dress ring over post and into position at base of post.
- 4 Insert glass and tighten via M8 Grub screws
5. Ensure all panels are plumb and securely braced.

Note: As constructions of timber and concrete decks vary infinitely, we recommend consultation by a suitably qualified engineer to certify appropriate use in each application.



# FMP CD RD HG

## Universal Mini Posts

Core Drilled, Round Mini Post  
 Mechanical Fix

### Technical Details

- 316 Grade Stainless Steel
- Suitable for 12mm and 15mm glass
- Supplied with dress ring to conceal core drilling and M16 threaded rod for height adjustment
- For details on custom designs and sizes please contact sales support on (03) 8562 0888

### Available Finishes

- Polished stainless steel
- Satin stainless steel

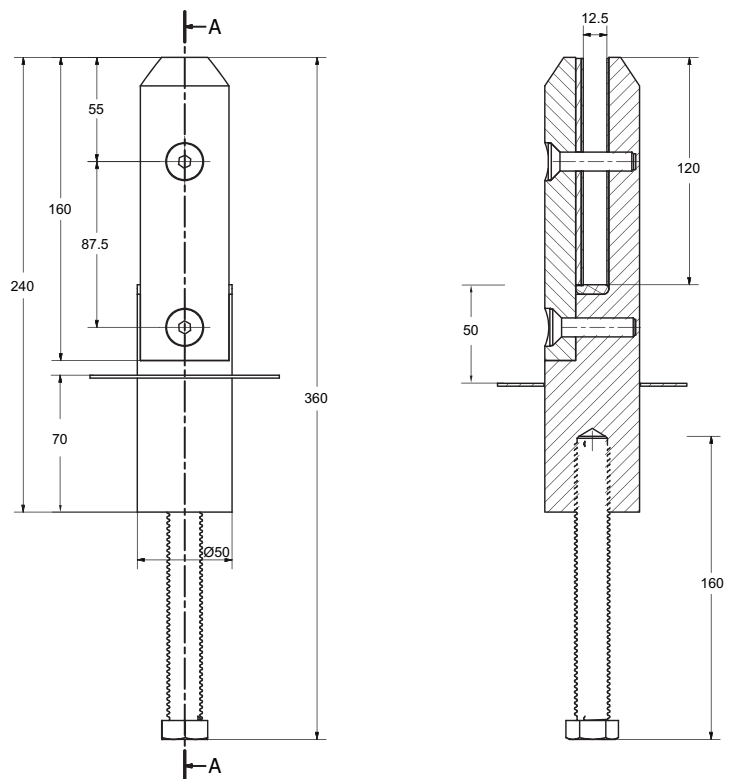
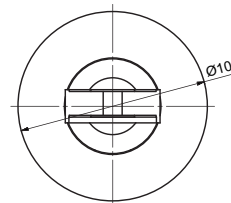
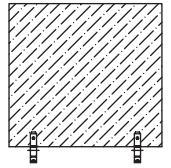
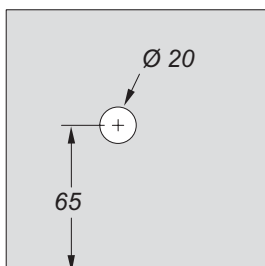
## Specify at time of order

- Finish required

## Installation Instructions

- 1 Determine appropriate glass sizes by referencing the Pool Fence Guide on the following page or referring to a suitably qualified engineer for use in balustrades.
- 2 Core drill holes and fix mini post into position using suitable fixing method.
- 3 Place dress ring over post and into position at base of post.
- 4 Insert glass and tighten into position via M10 CSK Bolt
5. Ensure all panels are plumb and securely braced.

Note: As constructions of timber and concrete decks vary infinitely, we recommend consultation by a suitably qualified engineer to certify appropriate use in each application.



# Universal Mini Post Recommended Panel Sizes

## Core Drilled Mini Post

### Balustrades

Use of the Universal Mini Post in balustrade applications will be dependent on several factors including type of balustrade and environmental conditions. We recommend consultation by a suitably qualified engineer to determine suitability on a job by job basis.

### Pool fencing

The following tables can be used to determine maximum panel size for each wind pressure:

Posts Per Panel	Post Type (See legend below)	Wind pressure kPa									
		0.8 kPa		1.0 kPa		1.5 kPa		2.0 kPa		2.5 kPa	
		Max (A) mm	Max (B) mm	Max (A) mm	Max (B) mm	Max (A) mm	Max (B) mm	Max (A) mm	Max (B) mm	Max (A) mm	Max (B) mm

### 12mm

#### Toughened safety glass

Toughened Safety Glass (AS/NZS 2208)	2	1, 2, 3, 4	1000	1400	750	1150	400	800	200	600	N/A	N/A
Toughened Safety Glass (AS/NZS 2208)	3	1, 2, 4	800	2000	600	1600	300	1000	200	800	N/A	N/A

### 15mm

#### Toughened safety glass

Toughened Safety Glass (AS/NZS 2208)	2	1, 2, 4	1700	2100	1300	1700	800	1200	500	900	350	750
Toughened Safety Glass (AS/NZS 2208)	3	1, 2, 4	1300	3000	1100	2600	600	1600	400	1200	300	1000

## ULS Wind Pressure

0.8 kPa (Region A2, TC 3)  
1.0 kPa (Region A2, TC 2)  
  
1.5 kPa (Region B, TC 3)  
2.0 kPa (Region B, TC 2)  
2.5 kPa (Region C)

## Regions

NSW, ACT, VIC, SA, WA (South of Green Head), Interior QLD & NT - Suburban  
NSW, ACT, VIC, SA, WA (South of Green Head) - Coastal & Open Terrain;  
Interior QLD & NT - Open Terrain  
QLD South of Bundaberg - Suburban  
QLD South of Bundaberg - Coastal / Exposed  
QLD (North of Bundaberg), NT Coastal

All Mini Posts are SS316

Tabulated values are based on design stresses limited by either the glass or mini-posts and/or deflection.

## Legend

Post Type 1: FMP CD SQ FF - Core Drill, Square, Friction Fit  
Post Type 2: FMP CD SQ HQ - Core Drill, Square, Mechanical Fix  
Post Type 3: FMP CD RD FF - Core Drill, Round, Friction Fit \*\*  
Post Type 4: FMP CD RD HG - Core Drill, Round, Mechanical Fix

**\*\*Note: Post Type 3: Round - Friction Fit - Mini Post is temporarily excluded from 12mm glass with 3 posts and all 15mm glass combinations pending test data analysis.**

**Note:** These calculations are based on using Fethers fittings and do not apply to fittings supplied by others.

