

SDH10

Low Profile Sliding Door Handle

Technical Details

- Low profile, sits only 10mm off glass
- Suits 8mm and 10mm glass

Applications

- All sliding shower or door applications

Available Finishes

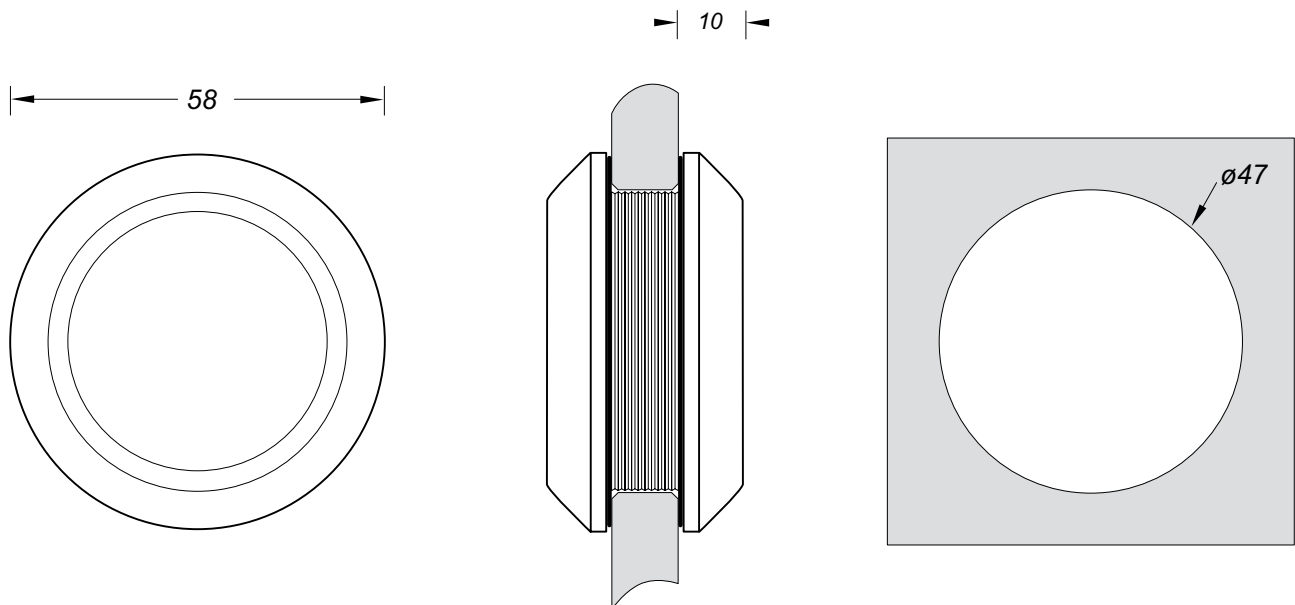
- Polished stainless steel
- Satin stainless steel

Product Codes

- SDH10 PSS (polished)
- SDH10 SSS (satin)

Specify at time of order

- Finished required



Code	Description	Price (ex gst)
SDH10 PSS	Low Profile Sliding Door Handle - Polished Stainless Steel	\$21.80
SDH10 SSS	Low Profile Sliding Door Handle - Satin Stainless Steel	\$21.80