

Stainless Steel Adjustable Balustrade Fittings

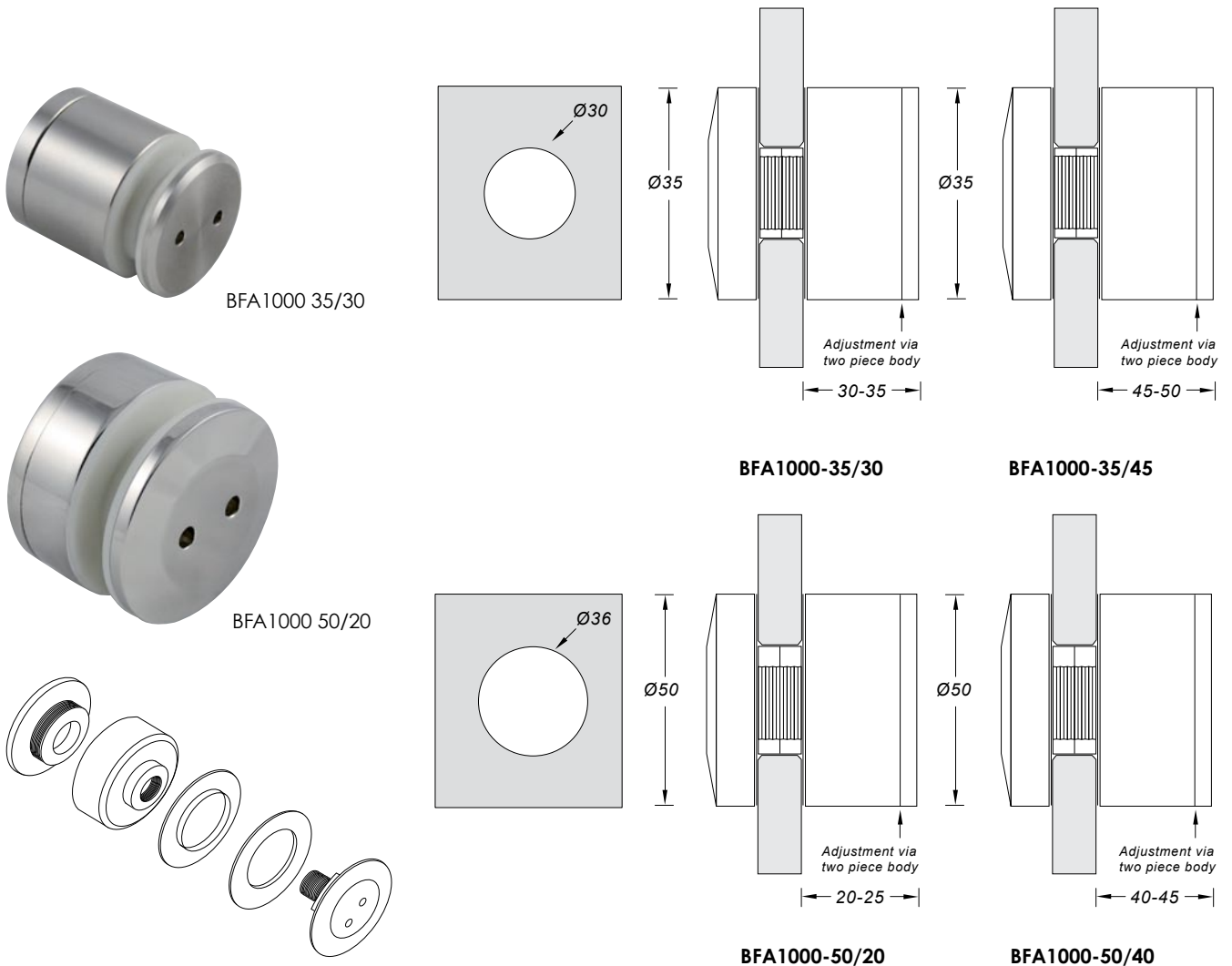
08/2010 : New Product Release



Stainless Steel Adjustable Balustrade Fittings

The Adjustable Balustrade Fitting allows the convenience and flexibility of 5mm adjustment after the glass panel has been mounted. Modern design and quality 316 Stainless Steel create an adjustable fitting suitable for a variety of applications from balustrades and partitions to advertising panel anchors.

BFA1000 Adjustable Balustrade Fitting



Technical Details

- 316 grade satin stainless steel finish
- Spacer options:
 - 35mm diameter: 30-35mm and 45-50mm
 - 50mm diameter: 20-25mm and 40-45mm
- Suitable for 10mm, 12mm and 15mm glass
- Glass hole required;
 - 35mm diameter: 28mm
 - 50mm diameter: 34mm
- Easy adjustment from centre, after installation of glass
- Single gasket suitable for various glass thicknesses.

Available Finishes

- Polished Stainless Steel
- Satin Stainless Steel

Specify at time of order

- Finish required
- Diameter & Spacer options:
 - BFA1000-35/30
 - BFA1000-35/45
 - BFA1000-50/20
 - BFA1000-50/40

How the Product Code works

BFA1000-50/20
 Product Diameter Spacer

Code	Description	Polished SS	Satin SS
BFA1000 35/30	Adjustable Glass Anchor, 35mm Diameter, 30mm Spacer	\$29.70	\$24.75
BFA1000 35/45	Adjustable Glass Anchor, 35mm Diameter, 45mm Spacer	\$33.10	\$28.20
BFA1000 50/20	Adjustable Glass Anchor, 50mm Diameter, 20mm Spacer	\$34.65	\$29.70
BFA1000 50/40	Adjustable Glass Anchor, 50mm Diameter, 40mm Spacer	\$44.20	\$39.90