

# FSF 122 A

## 2 Arm Fin Fixed Lightweight Spider Fitting

### Technical Details

- Light weight 316 grade stainless steel spider fitting
- Ideal for balustrade applications
- Designed to mount glass panels to glass or steel fins
- Standard fitting suits up to 15mm fin  
 Customised upon request

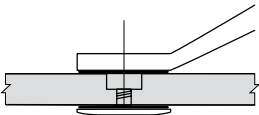
### Available Finishes

- Satin stainless steel
- Polished stainless steel

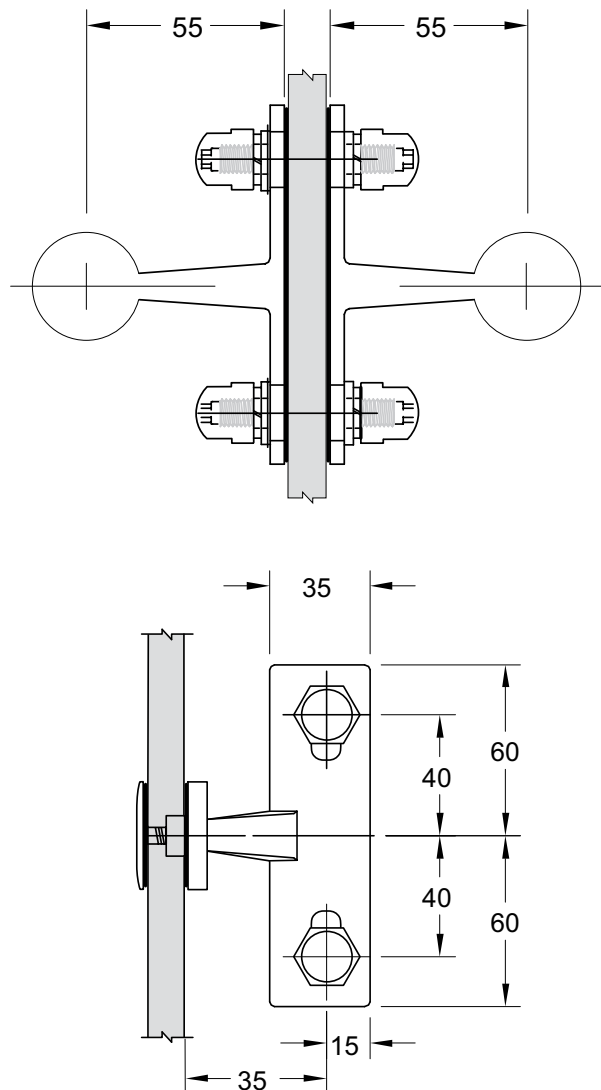
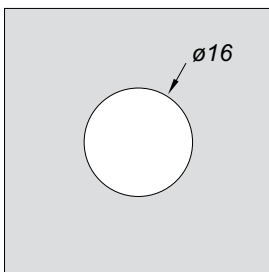
### Specify at Time of Order

- Finish required
- Fin thickness

### Standard Fixing M6 Button Style



### Glass Detail



Code	Description	Price (ex gst)
FSF 122 A PSS	Lightweight Spider Fitting - Polished Stainless Steel	\$80.00
FSF 122 A SSS	Lightweight Spider Fitting - Satin Stainless Steel	\$70.00