

CDH10-300

Back to Back "D" Pull Handle

Technical Details

- 300mm centre to centre clearance
- 32mm diameter
- Manufactured from grade 304 tubular stainless steel
- Comes complete with accessories for glass, timber or aluminium doors

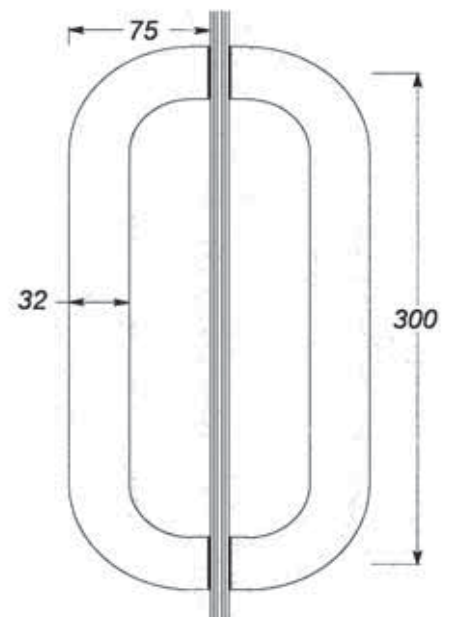
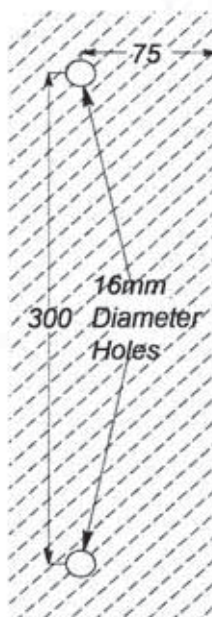
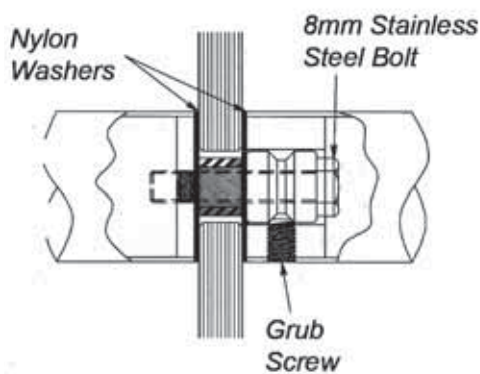
Available Finishes

- Satin Stainless Steel
- Polished Stainless Steel
- Titanium Gold

Specify at time of order

- Finish Required

Custom sizes made to order as requested



CDH20-300

Offset Back to Back "D" Pull Handle

Technical Details

- 300mm centre to centre clearance
- 32mm diameter
- Manufactured from grade 304 tubular stainless steel
- Comes complete with accessories for glass, timber or aluminium doors

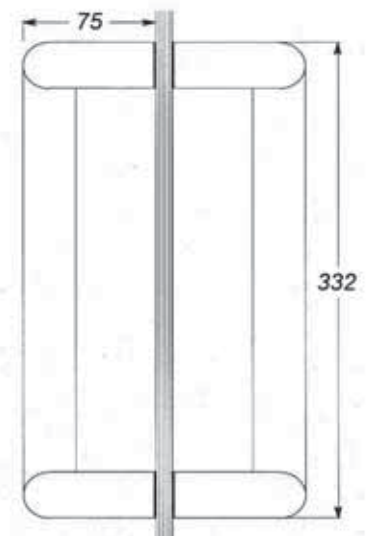
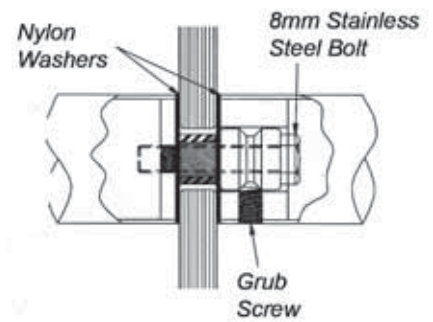
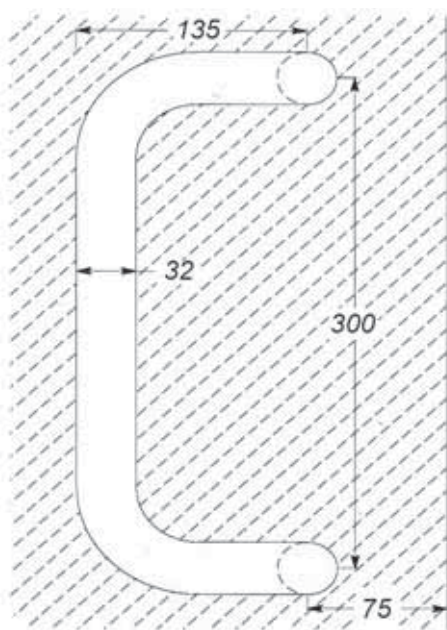
Available Finishes

- Satin Stainless Steel
- Polished Stainless Steel
- Titanium Gold

Specify at time of order

- Finish Required

Custom sizes made to order as requested



CDH30-300

Round Double
 "D" Pull Handle

Technical Details

- 300mm centre to centre clearance
- 32mm diameter
- Manufactured from grade 304 tubular stainless steel
- Comes complete with accessories for glass, timber or aluminium doors

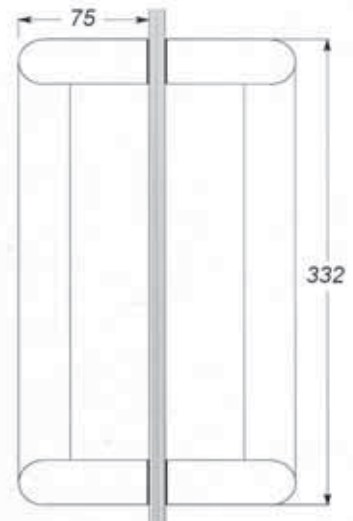
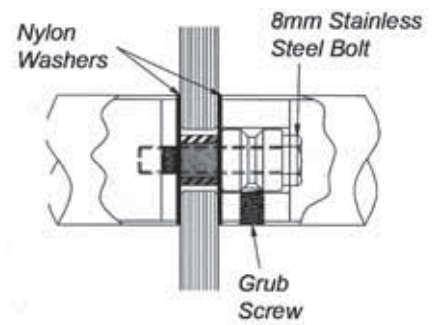
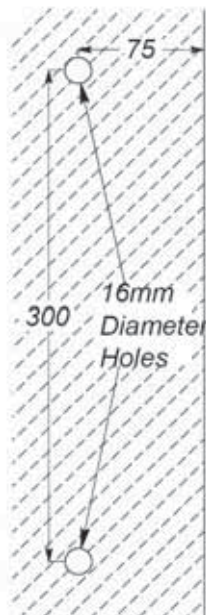
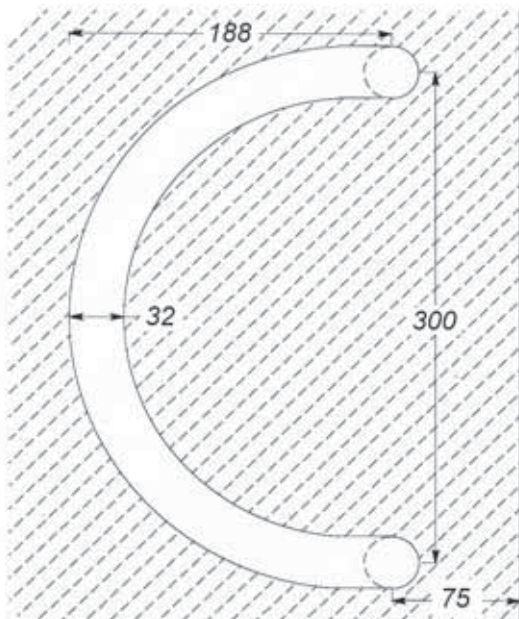
Available Finishes

- Satin Stainless Steel
- Polished Stainless Steel
- Titanium Gold

Specify at time of order

- Finish Required

Custom sizes made to order as requested



CDH40-300

Round Double "D" Pull Handle

Technical Details

- 300mm centre to centre clearance
- 32mm diameter
- Manufactured from grade 304 tubular stainless steel
- Comes complete with accessories for glass, timber or aluminium doors

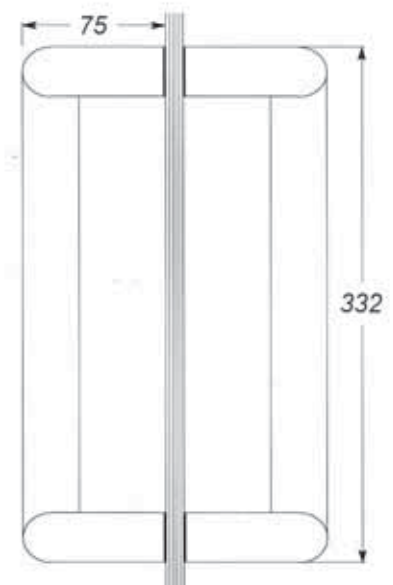
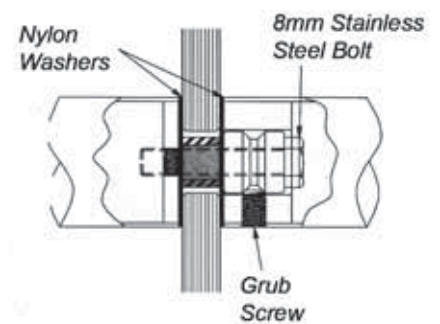
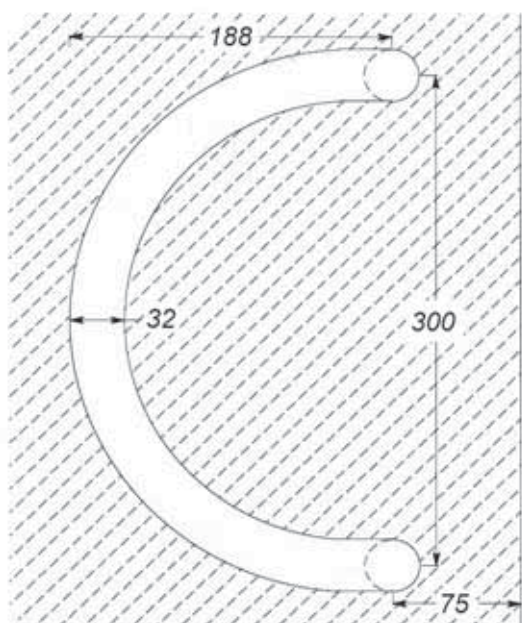
Available Finishes

- Satin Stainless Steel
- Polished Stainless Steel
- Titanium Gold

Specify at time of order

- Finish Required

Custom sizes made to order as requested



CDH50-450

Curved Double "D" Pull Handles

Technical Details

- 450mm centre to centre clearance
- 32mm diameter
- Manufactured from grade 304 tubular stainless steel
- Comes complete with accessories for glass, timber or aluminium doors

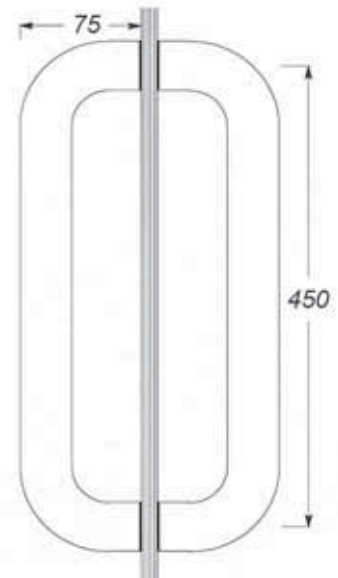
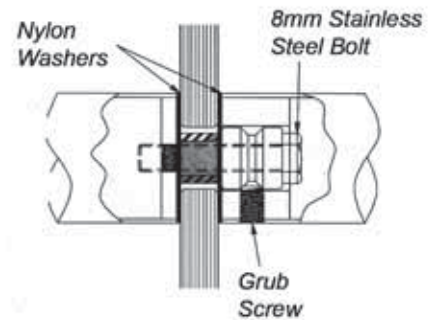
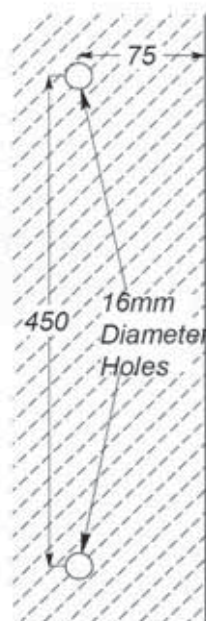
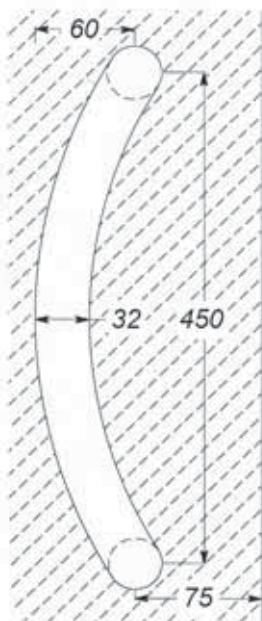
Available Finishes

- Satin Stainless Steel
- Polished Stainless Steel
- Titanium Gold

Specify at time of order

- Finish Required

Custom sizes made to order as requested



CDH60

H Style Pull Handle

Technical Details

- 600mm overall length
- 500mm centre to centre
- 32mm diameter
- Manufactured from grade 304 tubular stainless steel
- Comes complete with accessories for glass, timber or aluminium doors

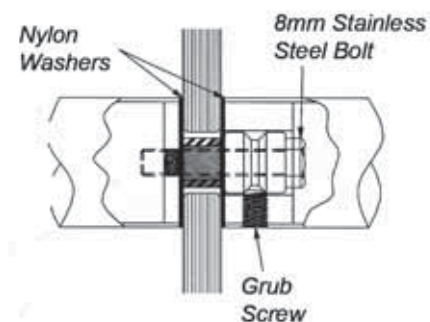
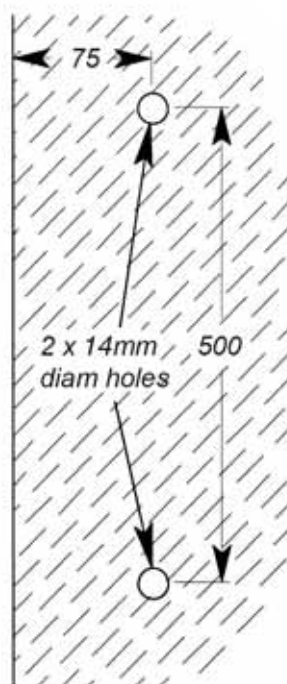
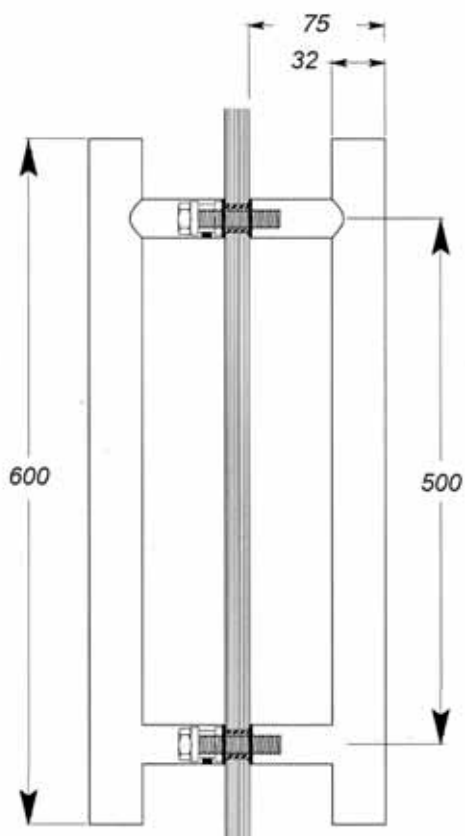
Available Finishes

- Satin Stainless Steel
- Polished Stainless Steel
- Titanium Gold

Specify at time of order

- Finish Required

Custom sizes made to order as requested



CDH70

H Style Square Profile Pull Handle

Technical Details

- 600mm overall length
- 400mm centre to centre
- 32mm diameter
- Manufactured from grade 304 square stainless steel
- Comes complete with accessories for glass, timber or aluminium doors

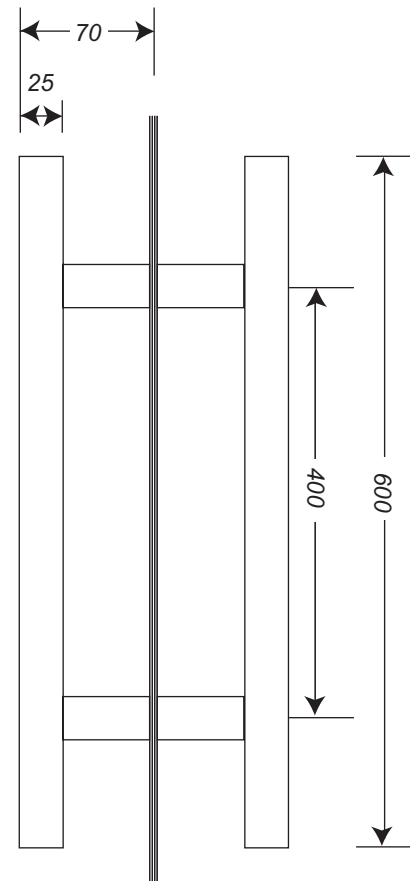
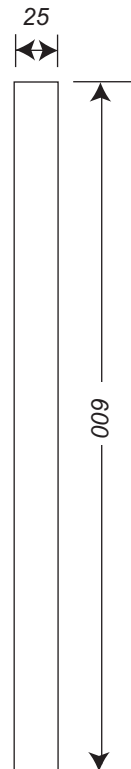
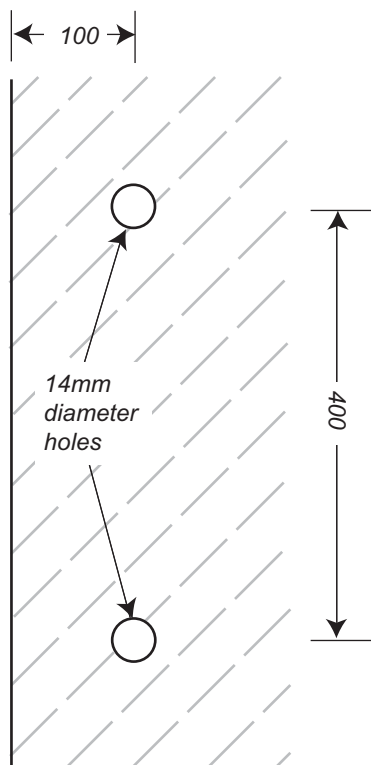
Available Finishes

- Satin Stainless Steel
- Polished Stainless Steel
- Titanium Gold

Specify at time of order

- Finish Required

Custom sizes made to order as requested



CDH80

D Shaped Square Profile Pull Handle

Technical Details

- 620mm overall length
- 600mm centre to centre
- 32mm diameter
- Manufactured from grade 304 rectangle stainless steel
- Comes complete with accessories for glass, timber or aluminium doors

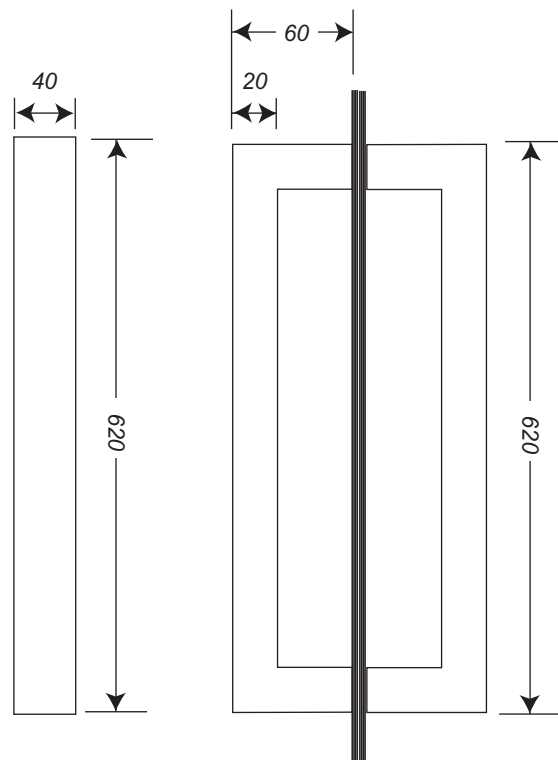
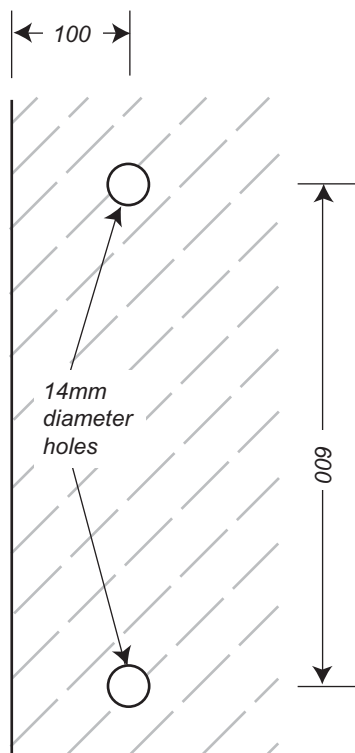
Available Finishes

- Satin Stainless Steel
- Polished Stainless Steel
- Titanium Gold

Specify at time of order

- Finish Required

Custom sizes made to
order as requested



CDH90

Offset D Style Square Pull Handle

Technical Details

- 620mm overall length
- 600mm centre to centre
- 32mm diameter
- Manufactured from grade 304 square stainless steel
- Comes complete with accessories for glass, timber or aluminium doors

Available Finishes

- Satin Stainless Steel
- Polished Stainless Steel
- Titanium Gold

Specify at time of order

- Finish Required

Custom sizes made to order as requested

