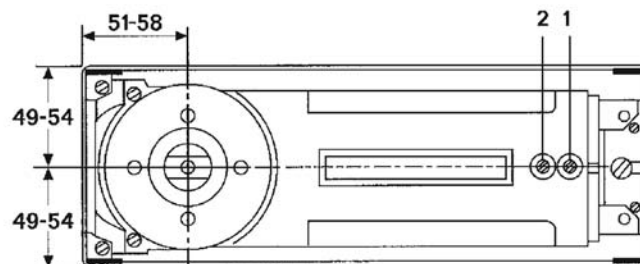
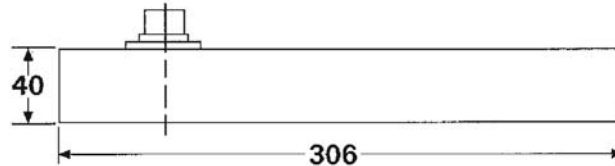
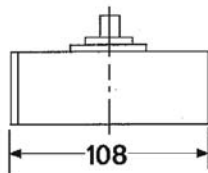
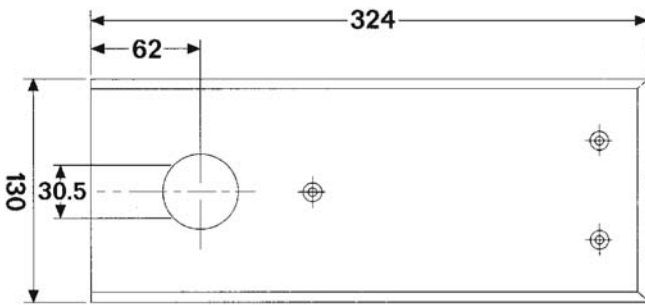


12-13 Rosemary Court Mulgrave Victoria Australia 3170
 telephone: (03) 8562 0888 facsimile: (03) 8562 0899
 email: sales@fethers.com web: www.fethers.com



Product Code

FS520 IS NHO

Product Type

Non Hold
 Open Floorspring with
 Interchangeable Spindle

Available Finishes

- Satin Stainless Steel
- Polished Stainless Steel
- Titanium Gold

Technical Details

- Comes standard with 0mm spindle (gives 8-10mm clearance)
- 5mm, 10mm, 15mm, 20mm, 25mm and 30mm extended spindles available upon request
- Maximum door width 1100mm
- Maximum door weight 75kgs
- Non Hold Open for Pool Gates
- 16Nm spring strength
- Cement Box Size
 - Length = 306mm
 - Width = 108mm
 - Height = 40mm
- Adjustment in cement box
 - Length = 7mm
 - Width = 10mm
 - Height = 4mm

Special Notes

In areas where water is present or likely, suitable sealing of the floor spring is required to prevent water from entering the cement box. See page 23 for floor spring sealant.