

12-13 Rosemary Court Mulgrave Victoria Australia 3170
 telephone: (03) 8562 0888 facsimile: (03) 8562 0899
 email: sales@fethers.com web: www.fethers.com

Product Code

FBF 1000 2000 & 3000 Series

Product Type

Balustrade Brackets
to suit Square and Round Posts

Available Finishes

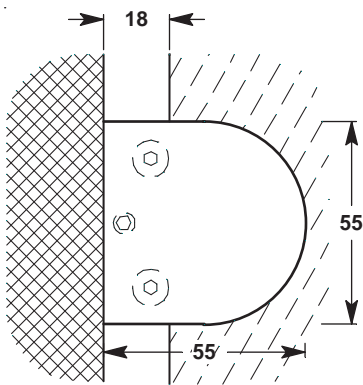
- FBF1000 - Polished Chrome
- FBF1000 - Satin Chrome
- FBF1000 - 24k Gold
- FBF2000/3000 - Satin Stainless Steel
- FBF2000/3000 - Polished Stainless Steel

Technical Details

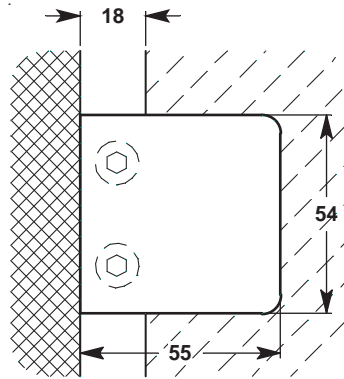
- FBF1000 - all Zinc Casting
suitable for 6mm and 8mm glass
- FBF2000/3000 - all 316 grade Stainless Steel
suitable for 8mm and 10mm glass

- FB1100, FB2100 & FBF3100**
- Designed to suit 50mm diameter Round Posts

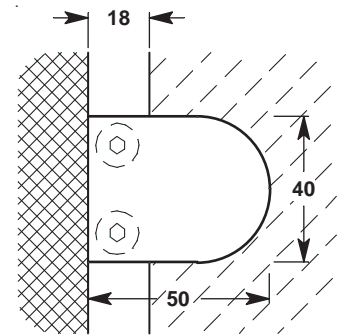
- FB1000, FB2000 & FBF3000**
- Designed to suit Square Posts



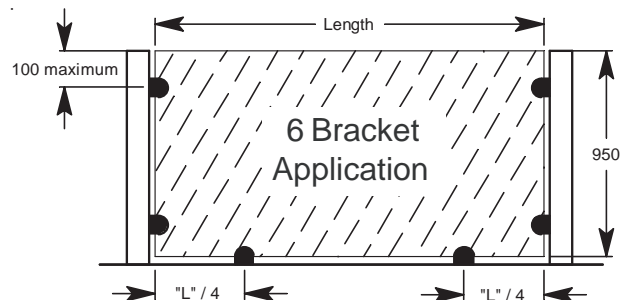
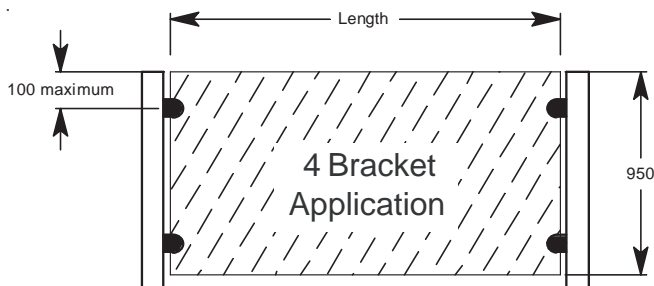
1000/1100 Series



2000/2100 Series



3000/3100 Series



12-13 Rosemary Court Mulgrave Victoria Australia 3170
 telephone: (03) 8562 0888 facsimile: (03) 8562 0899
 email: sales@fethers.com web: www.fethers.com

NOTE:
These calculations are based on using Fethers fittings and do not apply to fittings supplied by others.

Glass Widths & Windloads

Use the following guide charts to determine the recommended glass sizes.

Residential Applications

Allowable Glass Spans in mm

Fitting Type	No. Fittings	Glass Thickness	Design Wind Pressure (kPa) - Widths of Panels (mm)										
			0.5	0.6	0.7	0.8	0.9	1.0	1.25	1.5	1.75	2.0	2.5
1000 Series	4	6mm	950	950	950	950	950						
1000 Series	4	8mm	1450	1450	1300	1100	1000						
2000 & 3000 Series	4	8mm	1450	1450	1450	1420	1380	1310	1200	1150	1080	1040	960
2000 & 3000 Series	4	10mm	1950	1950	1850	1760	1700	1640	1520	1430	1350	1300	1200
2000 & 3000 Series	6	8mm	1450	1450	1450	1420	1380	1380	1380	1380	1200	1100	1050
2000 & 3000 Series	6	10mm	2100	2100	2100	2100	2100	2100	1800	1800	1600	1500	1400
1000 Series	8	6mm	2000	2000	2000	2000	2000						
1000 Series	8	8mm	2200	2200	2200	2200	2000						
2000 & 3000 Series	8	8mm	2200	2200	2200	2200	2200	2200	2200	2200	2200	1970	1570
2000 & 3000 Series	8	10mm	2400	2400	2400	2400	2400	2400	2400	2400	2400	2400	2080

RESIDENTIAL APPLICATIONS BASED ON THE FOLLOWING CRITERIA:

Handrail Loads - Concentrated 600N Wind Pressure - 0.5 kPa-2.5kPa Deflection Limit - Span/90
 - Distributed 400N/m Height of Glass - 950mm Glass Type - Grade A Toughened Glass to AS1288 and AS2208

Note: For internal applications use design wind pressure = 0.5(kPa) column

Commercial Applications

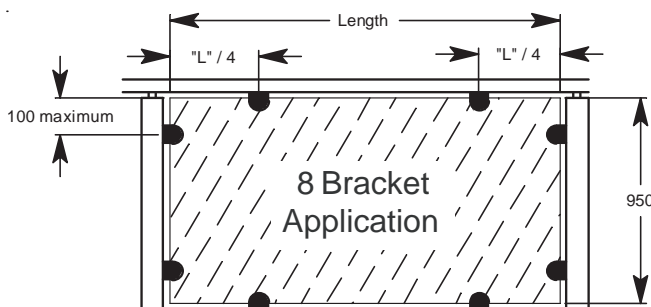
Allowable Glass Spans in mm

Fitting Type	No. Fittings	Glass Thickness	Design Wind Pressure (kPa) - Widths of Panels (mm)										
			0.5	0.6	0.7	0.8	0.9	1.0	1.25	1.5	1.75	2.0	2.5
1000 Series	4	6mm	950	950	950	950	950						
1000 Series	4	8mm	1200	1200	1200	1100	1000						
2000 & 3000 Series	4	8mm	1420	1420	1420	1420	1380	1310	1200	1150	1080	1040	960
2000 & 3000 Series	4	10mm	1770	1770	1770	1760	1700	1640	1520	1430	1350	1300	1200
2000 & 3000 Series	6	8mm	1420	1420	1420	1420	1380	1380	1380	1380	1200	1100	1050
2000 & 3000 Series	6	10mm	1800	1800	1800	1800	1800	1800	1800	1800	1600	1500	1400
1000 Series	8	6mm	2000	2000	2000	2000	2000						
1000 Series	8	8mm	2200	2200	2200	2200	2000						
2000 & 3000 Series	8	8mm	2200	2200	2200	2200	2200	2200	2200	2200	2200	1970	1570
2000 & 3000 Series	8	10mm	2400	2400	2400	2400	2400	2400	2400	2400	2400	2400	2080

COMMERCIAL APPLICATIONS BASED ON THE FOLLOWING CRITERIA:

Handrail Loads - Concentrated 600N Wind Pressure - 0.5 kPa-2.5kPa Deflection Limit - Span/90
 - Distributed 750N/m Height of Glass - 950mm Glass Type - Grade A Toughened Glass to AS1288 and AS2208

Note: For internal applications use design wind pressure = 0.5(kPa) column



Note : All panels using the eight point fixings are used as infill panels as defined in the AS1288 Glass Code and no direct balustrade loads (apart from wind pressure) are to be applied to the glass.