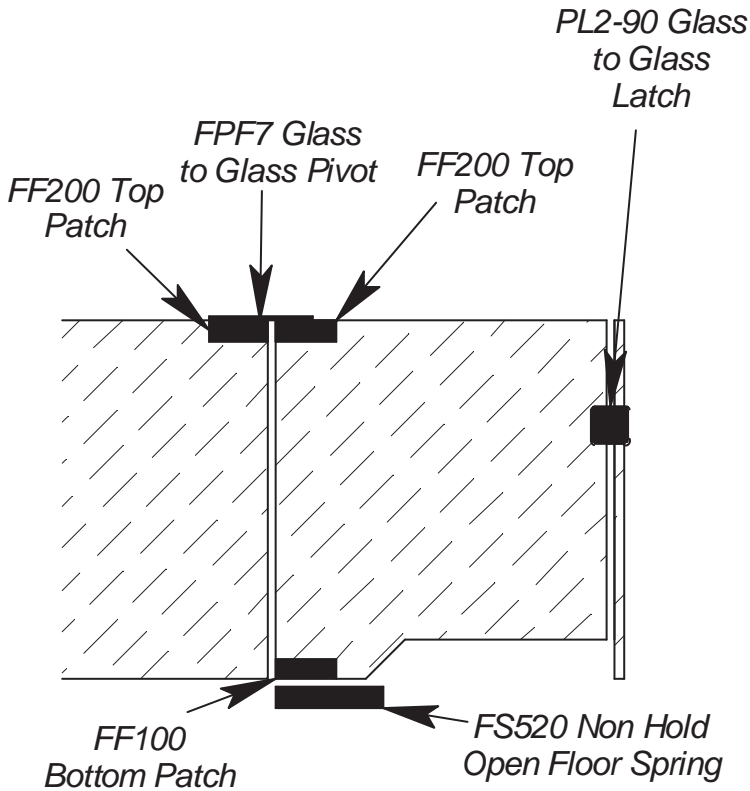


## Product Specification



**Configuration No 5**  
 FPF7 Glass to Glass Slimline  
 Pivot with Dual Top Patches  
 and PL2-90 Glass to Glass Latch

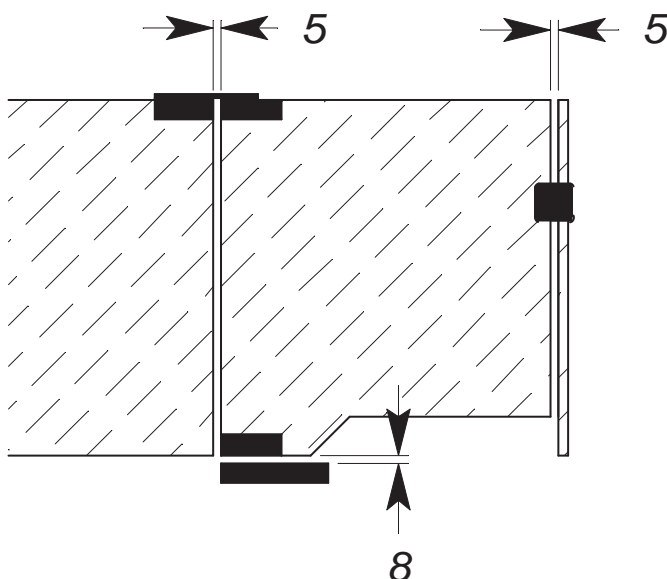
### Order the Following

- 1 x FS520 Non Hold Open Floor Spring (see page 11)
- 1 x FF100 Bottom Patch Fitting (see page 12)
- 2 x FF200 Top Patch Fitting (see page 13)
- 1 x PL2-90 Glass to Glass Latch (see page 16)
- 1 x FPF7 Glass to Glass Pivot (see page 19)

### Special Notes

1. In areas where water is present or likely, suitable sealing of the floor spring is required to prevent water from entering the cement box. See sealing compound on page 23.
2. Suggest notch under gate to allow for services including hoses etc.
3. Refer to AS 1926.1-1993 for design guidelines.

## Glass Clearances



*For individual product specifications and relevant glass detail see product pages as listed above.*