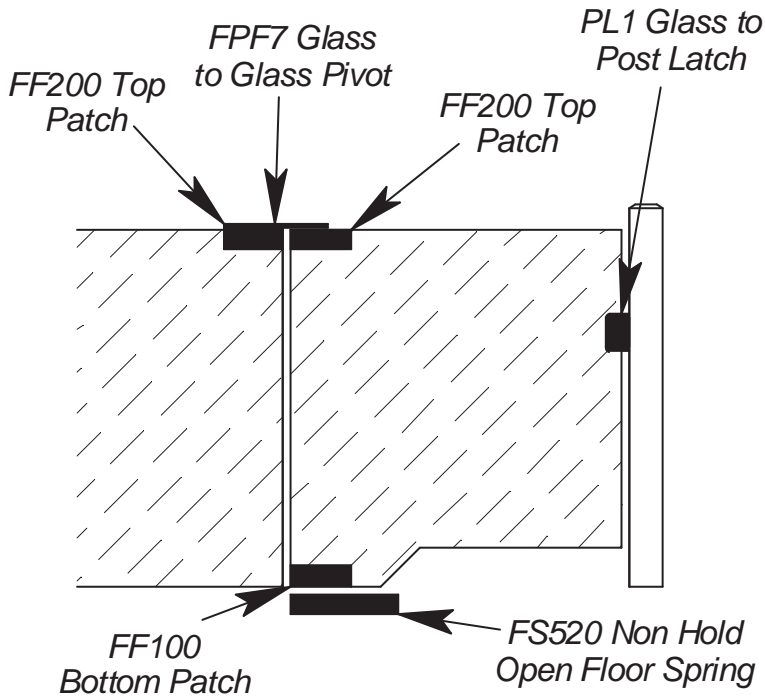


## Configuration No 4

### FPF7 Glass to Glass Slimline Pivot with Dual Top Patches and PL1 Glass to Post Latch

## Product Specification



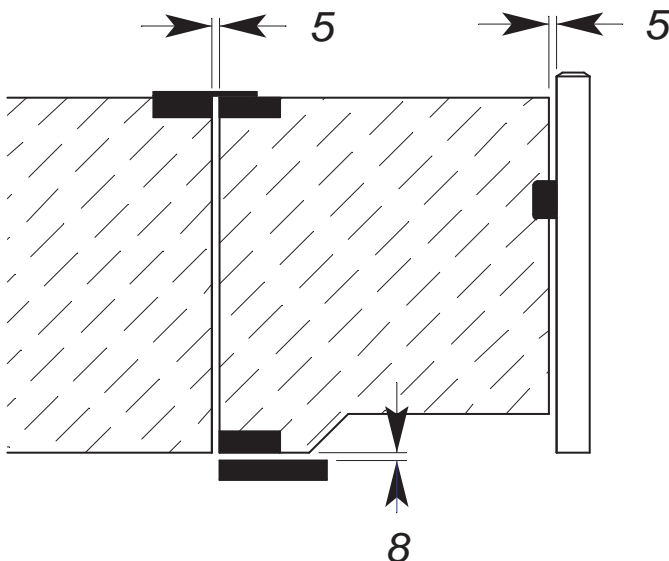
### Order the Following

- 1 x FS520 Non Hold Open Floor Spring (see page 11)
- 1 x FF100 Bottom Patch Fitting (see page 12)
- 2 x FF200 Top Patch Fitting (see page 13)
- 1 x PL1 Glass to Post Latch (see page 14)
- 1 x FPF7 Glass to Glass Pivot (see page 19)

### Special Notes

1. Gate to be aligned to inside of post (pool side) opening outwards only. If alignment to centre of post is required, call FGS for options.
2. Magna reciever to be face fixed to inside of post along with stop to render gate single action opening outwards.
3. In areas where water is present or likely, suitable sealing of the floor spring is required to prevent water from entering the cement box. See sealing compound on page 23.
4. Suggest notch under gate to allow for services including hoses etc.
5. Refer to AS 1926.1-1993 for design guidelines.

## Glass Clearances



*For individual product specifications and relevant glass detail see product pages as listed above.*